

# SHIMANO®

**SHIMANO EUROPA**

Industrieweg 24 NL-8071 CT Nunspeetâ Holland  
Phone 31-3412-72222

**SHIMANO AMERICAN CORPORATION**

One Holland Irvine CA 92618 U.S.A.  
Phone 949-951-5003

## Spare parts list for after market.

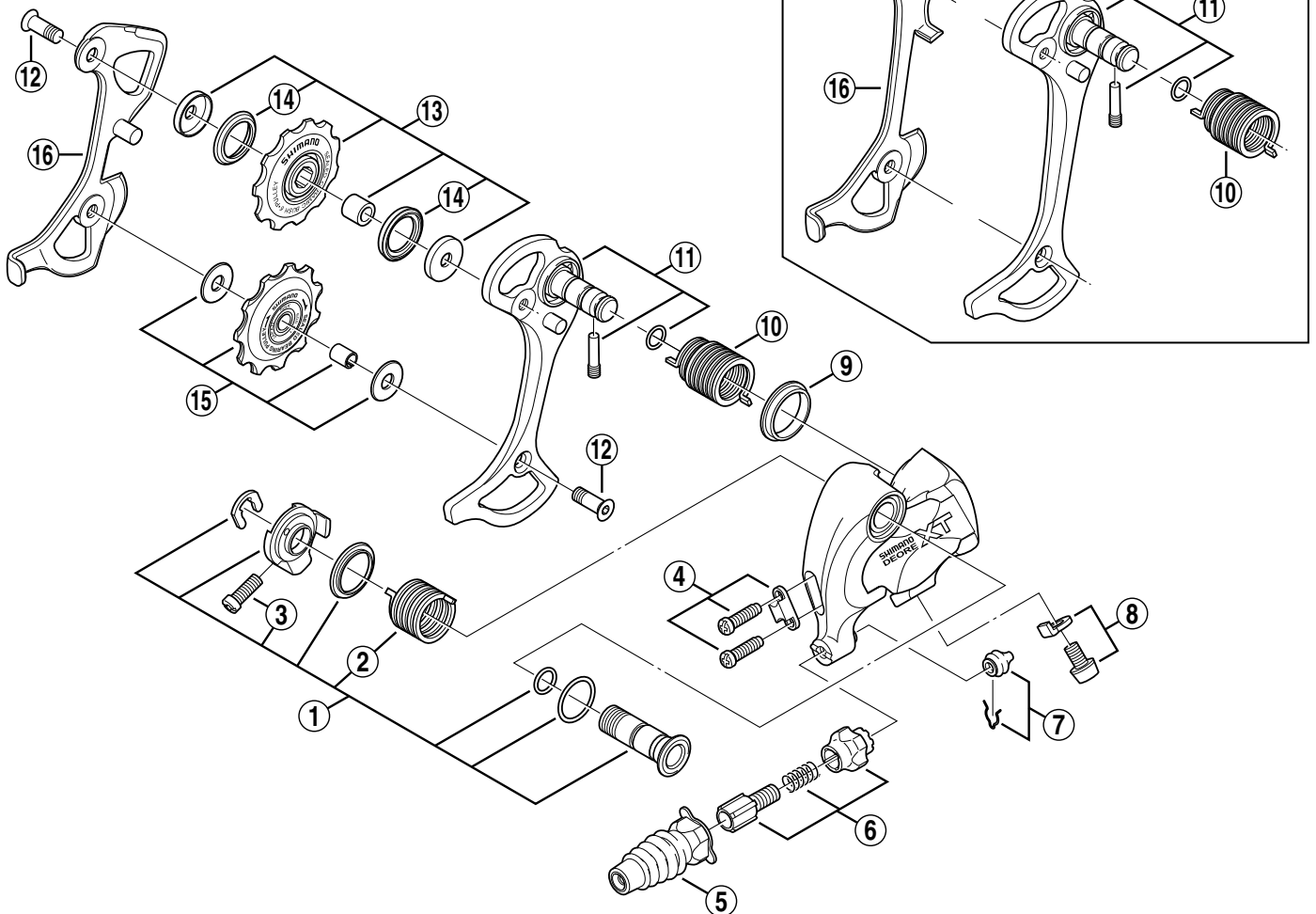
- You may photocopy this sheet and use it as an order form.
- Sie können dieses Blatt kopieren und als Bestellformular verwenden.
- Vous pouvez photocopier cette feuille et l'utiliser comme bon de commande.
- Dit blad kan gecopieerd en als bestelformulier gebruikt worden.
- Potete fotocopiare questo foglio e usarlo come modulo di commissione.

### DEORE XT Rear Derailleur (9-Speed)

Dec. 1998

## RD-M750 Middle Cage

## RD-M750-SGS Super Long Cage



ITEM NO.	SHIMANO CODE NO.	DESCRIPTION
1	Y-5TP 98010	B-Axle Assembly
2	Y-5UG11000	B-Tension Spring
3	Y-556 25010	B-Tension Adjusting Screw (M4 x 12)
4	Y-5TP 98020	Stroke Adjusting Screws (M4 x 14.5) & Plate
5	Y-5TN 13000	Cable Adjusting Rubber Cover
6	Y-5TJ 98030	Cable Adjusting Bolt Unit
7	Y-5TP 98030	Rubber Boot & Stop Ring
8	Y-5UG98020	Cable Fixing Bolt (M5 x 8.5) & Plate
9	Y-5UC14000	P-Seal Ring
10	Y-5TP 19000	P-Tension Spring (Middle Type)
	Y-5UC12100	P-Tension Spring (SGS-Type)
11	Y-5TP 98040	Outer Plate Assembly (Middle Type)
	Y-5TP 98050	Outer Plate Assembly (SGS-Type)
12	Y-53M 24000	Pulley Bolt
13	Y-5TP 98080	Guide Pulley Unit
14	Y-53B 18000	Pulley Seal Ring
15	Y-5TP 98090	Tension Pulley Unit
16	Y-5TP 98100	Inner Plate (Middle Type)
	Y-5TP 10000	Inner Plate (SGS-Type)