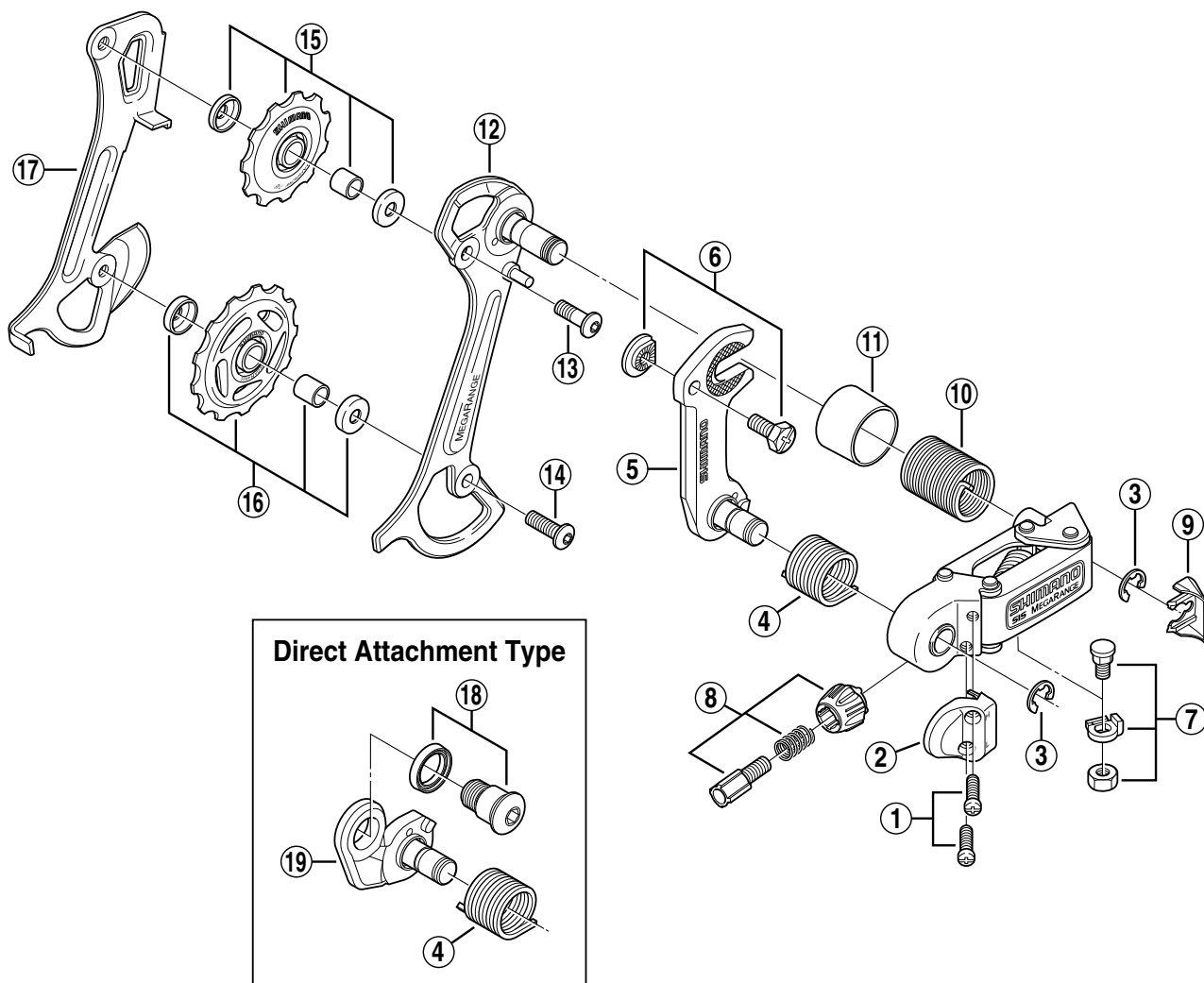


SHIMANO TOURNEY Rear Derailleur (6-Speed)

RD-TY23 Mega Long Cage



Q'TY	ITEM NO.	SHIMANO CODE NO.	DESCRIPTION
	1	Y-517 98020	Stroke Adjusting Screws (M4 x 14.5) 2 pcs.
	2	Y-54L 12000	B-Axle Cap
	3	Y-521 30010	Stop Ring (φ6 mm)
	4	Y-5T3 11000	B-Tension Spring
		Y-5T3 11010	B-Tension Spring (Direct Attachment Type)
	5	Y-54L 98010	Adapter w/Mounting Shaft
	6	Y-54M98030	Adapter Screw (M5 x 11.5) & Nut
	7	Y-54N 98020	Cable Fixing Bolt Unit
	* 8	Y-5T4 98060	Cable Adjusting Bolt Unit
	9	Y-54L 28000	P-Axle Cap
	10	Y-5T3 12000	P-Tension Spring
	11	Y-54L 27000	P-Tension Spring Cover
	12	Y-5T3 98010	Outer Plate w/Mounting Shaft
	13	Y-5TW35010	Guide Pulley Bolt (M5 x 14.5)
	14	Y-5TW35000	Tension Pulley Bolt (M5 x 15.4)
	15	Y-5TW98040	Guide Pulley Unit
	16	Y-54B 98040	Tension Pulley Unit
	17	Y-5TW12100	Inner Plate
	18	Y-54Z 98080	B-Axle & Spacer (Direct Attachment Type)
	19	Y-54L 98040	Adapter w/Mounting Shaft (Direct Attachment Type)