

## Spare parts list for after market.

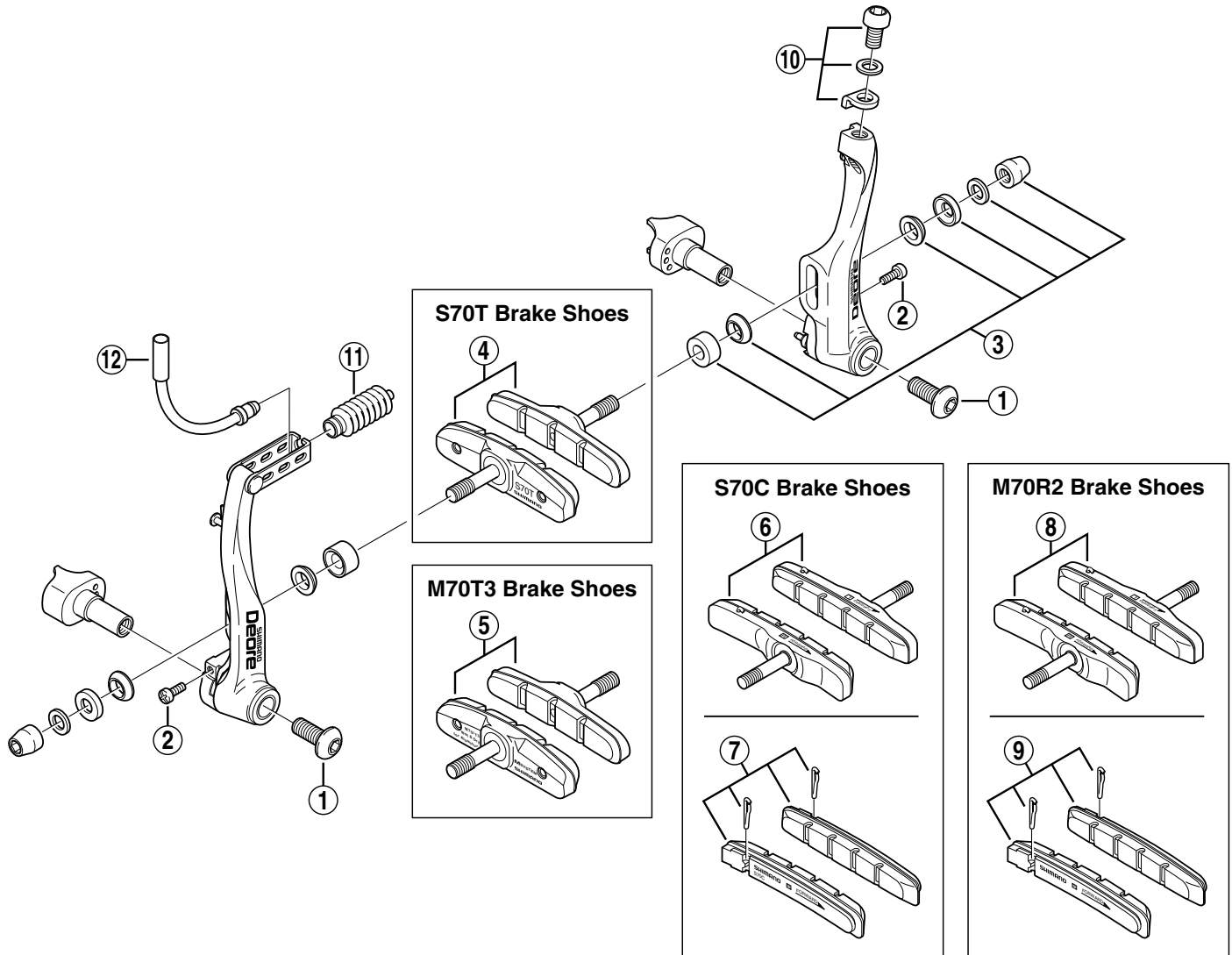
- You may photocopy this sheet and use it as an order form.
- Sie können dieses Blatt kopieren und als Bestellformular verwenden.
- Vous pouvez photocopier cette feuille et l'utiliser comme bon de commande.
- Dit blad kan gecopieerd en als bestelformulier gebruikt worden.
- Potete fotocopiare questo foglio e usarlo come modulo di commissione.

### SHIMANO DEORE V-Brake

Nov. 1999

## BR-M510-S Silver Version

## BR-M510-L Black Version



ITEM NO.	SHIMANO CODE NO.	DESCRIPTION
1	Y-82N 18800	Link Fixing Bolt (M6 x 16)
2	Y-8GV 05000	Spring Tension Adjustment Screw (M3 x 8)
* 3	Y-8AA 98050	Shoe Fixing Nut Unit
4	Y-8GV 98010	S70T Brake Shoe Set (Pair)
5	Y-8BM98100	M70T3 Brake Shoe Set (Pair) for M-System
6	Y-8GV 98020	S70C Cartridge-Type Brake Shoe Set (Pair)
7	Y-8AA 98130	S70C Cartridge-Type Brake Shoes & Fixing Pins (Pair)
8	Y-8AA 98010	M70R2 Cartridge-Type Brake Shoe Set (Pair) for M-System
9	Y-8AA 98020	M70R2 Cartridge-Type Brake Shoes & Fixing Pins (Pair) for M-System
10	Y-8GP 98020	Cable Fixing Bolt Unit (M6 x 11.5)
11	Y-8BP 14000	Boot
12	Y-8AA 98070	Inner Cable Lead Unit (90°)
	Y-8AA 98080	Inner Cable Lead Unit (135°)
	Y-8AA 98120	Inner Cable Lead Unit (45°)